

\$ ## && !&% ! \$ % )"'\$ "&&" !  
! \$ \$ &\$ &'\$! "!" )"'\$ !( %& !&

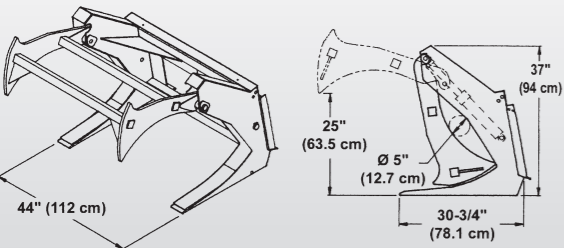
**MULTITEK®**  
**- 1 ODF FER755**  
**K LOKI DDS ESM00FD**

**MULTITEK®**  
**- 1 ODF FER7AT**  
**K LOKI DDS ESM00FD**



\$! 1(0%!' + !(  
00 \$)!\*0 3+.' /  
3!(( "+. /+.0%\*# \*  
) +2%\*# (+#/ %\* 0\$!  
"+.1/0+. )%( 5 .  
+3! .1(\$5 . 1%  
5(%\* !./ .%2! 0\$!  
\$! 25 105 ,%2+0%\*#  
+1 (! & 3 ( ) ,  
+2! .! \$ 1.2! \* 0 ,! ! "+.' 0%\*! #%2%\*# 5+1 0\$!  
\*! !// .5 #.% ,%\*# ,+3! . \$! \$5 . 1% 5(%\* !./ .!  
) +1\*0! %\* /% ! 0\$! #. , , (! ) %\* ". ) ! 0+ \$! ( , . , +0 ! 0  
0\$!) 1.%\*# /!2! .! 105 + ,! . 0%\*# +\* %0%+\*/ 1(0%0! '  
) \*1" 01.%\*# 1!/! / . // 1/\$%\*# / \* #.! /! 6! .! /  
0 0\$! .%0 ( ,%2+0 ,+%\*0/ \* /0 \* . 03+ ,%\* -1% '  
00 \$)!\*0 , ( 0! 0\$ 0% 3% ! (5 ! , 0! %\* 0\$! ) .! 0

! " 7 )  
! 7 ) %  
( 0" ! 5 . 1% +\*\*! 0+./  
1' %( 3+ . \$!!! 3



\$!  
%/ .! +) )!\* ! "+. 0\$!  
\*! 3 #!\*! . 0%+\* + "\$# \$! .  
\$+./! ,+3! .! /% /0! !.  
(+ !./ 1(0%0! ' ) \*1  
" 01.%\*# 1!/! / . //  
1/\$%\*# / \* #.! /!  
6! .! / 0 0\$! .%0 ( ,%2+0  
,+%\*0/ \* /0 \* .  
03+ ,%\* -1% ' 00 \$)!\*0  
, ( 0! 0\$ 0% 3% ! (5  
! , 0! %\* 0\$! ) .! 0  
... , (! 00 \$)!\*0/  
+ ) ! ! -1% , ! /0 \* . 3%0\$ "( 0" ! \$5 . 1%  
+\*\*! 0+./ \* \$+./! .+10%\*# \$! 00 \$)!\*0/ .!  
" 0+.5 0! /0! \* .! 5 0+ #+ 0+ 3+.' . , , (! /  
3% ( .! -1% ! 14% .5 \$5 . 1% /5/0! ) +\* ( + ! .  
\* \$5 . 1% \$+./! /0+ #+ ".+ ) ( + ! . 0+ #. , , (!

! " 7 ) !(! +4  
! 7 ) 0!!( 1.\*+10  
! " 7 ) +!  
( 0" ! 5 . 1% +\*\*! 0+./  
( / '#



\$ (& ( %+  
& \$(  
+  
%"" &  
\* \* \* #) ( ! \$ % #  
" & ' ' ' ' ' #) ( ! \$ % #  
!  
!  
! # !  
' & & \$" ' & \$\$ !& ) \* " !& %

\$ \$ \$ &\* \* \$ ) ! %  
) ' ) \$ & ! ! &\*

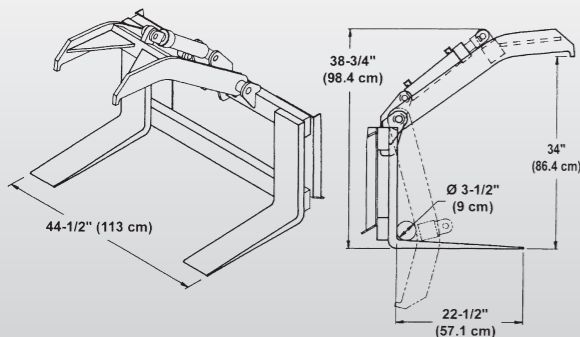
**MODEL LF-150  
 SKIDSTEER GRAPPLE**



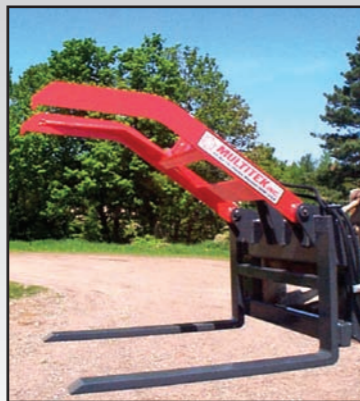
The **LF-150 Log Fork** is an economical, lightweight grapple attachment. It features tandem fork tines with a single hydraulic cylinder powering the center clamp. Multitek manufacturing uses brass bushings and grease zerks at the pivot points and a standard two pin quick attachment plate that is widely accepted in the market. Attachments come equipped standard with flatface hydraulic connectors and hose routing. The attachments are factory

tested and ready to go to work. Grapples will require auxiliary hydraulic system on loader and hydraulic hoses to go from loader to grapple.

- Height:** 28" (71 cm)
- Fork Length:** 22 1/2" (57.2 cm) tapered standard
- Quick-Tach Plate:** 1/4" (64 cm)
- Quick Connects:** Flatface Hydraulic Connectors
- Weight:** 440 lbs (200 kg)



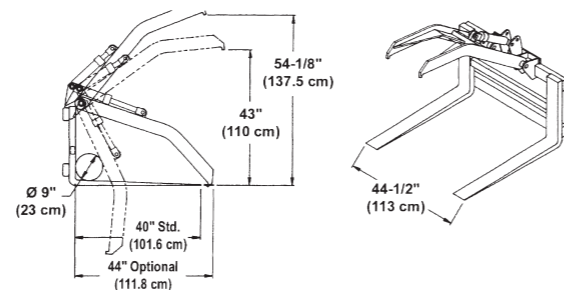
**MODEL LF-175  
 SKIDSTEER GRAPPLE**



The **LF-175 Log Fork** grapple attachment features long tandem fork tines with a single hydraulic cylinder powering the center clamp. Features a dual position center clamp, the rear pin position is for a larger opening for brush, forward pin

position for a smaller opening for clamping logs. See detail drawing below for specifications. Multitek manufacturing uses brass bushings and grease zerks at the pivot points and a standard two pin quick attachment plate that is widely accepted in the market. Attachments come equipped standard with flatface hydraulic connectors and hose routing. The attachments are factory tested and ready to go to work. Grapples will require auxiliary hydraulic system on loader and hydraulic hoses to go from loader to grapple.

- Height:** 33" (84 cm)
- Fork Length:** 44" (84 cm) tapered standard
- Quick-Tach Plate:** 1/4" (64 cm)
- Quick Connects:** Flatface Hydraulic Connectors
- Weight:** 490 lbs (222 kg)



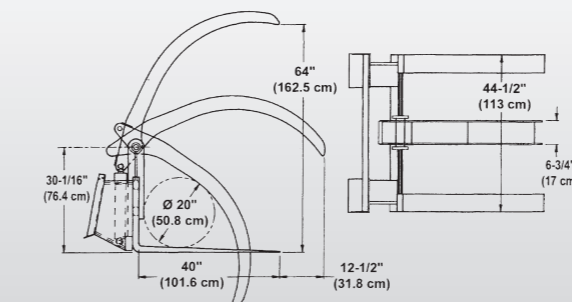
**MODEL MG-6419  
 SKIDSTEER GRAPPLE**



The **MG-6419 Multi-grapple** is used for large diameter clamping tasks and has non-adjustable width forks. This versatile grapple attachment features our largest grapple opening at 64" (162.5 cm) gripping diameter. Multitek

manufacturing uses brass bushings and grease zerks at the pivot points and a standard two pin quick attachment plate that is widely accepted in the market. Attachments come equipped standard with flatface hydraulic connectors and hose routing. The attachments are factory tested and ready to go to work. Grapples will require auxiliary hydraulic system on loader and hydraulic hoses to go from loader to grapple.

- Grapple Height:** 36" (91.4 cm)
- Fork Length:** 40" (102 cm) tapered (standard)
- Heavy Duty Quick-Tach Plate:** 3/8" (.95 cm)
- Quick Connects:** Flatface Hydraulic Connectors
- Weight:** 620 lbs (281 kg)
- Optional:** Fork Length, 42" (106.7 cm), 44" (111.8 cm), 46" (116.8 cm), 48" (121.9 cm) Hose Routing



**MODEL UG-6420  
 SKIDSTEER GRAPPLE**



The **UG-6420 Utility Grapple** is used for large diameter clamping tasks where adjustable forks are needed. This grapple features adjustable forks to 50" in width and a huge grapple opening at 64" (162.5 cm) gripping diameter. Multitek manufacturing uses brass bushings and grease zerks

at the pivot points and a standard two pin quick attachment plate that is widely accepted in the market. Attachments come equipped standard with flatface hydraulic connectors and hose routing. The attachments are factory tested and ready to go to work. Grapples will require auxiliary hydraulic system on loader and hydraulic hoses to go from loader to grapple.

- Grapple Height:** 38 3/4" (98.4 cm)
- Grapple Width:** 44 1/2" (113 cm)
- Fork Length:** 48" (121.9 cm) tapered standard
- Heavy Duty Quick-Tach Plate:** 3/8" (.95 cm)
- Quick Connects:** Flatface Hydraulic Connectors
- Weight:** 845 lbs (384 kg)
- Optional:** Fork Length, 42" (106.7 cm), 44" (111.8 cm), 46" (116.8 cm), 48" (121.9 cm) Hose Routing

